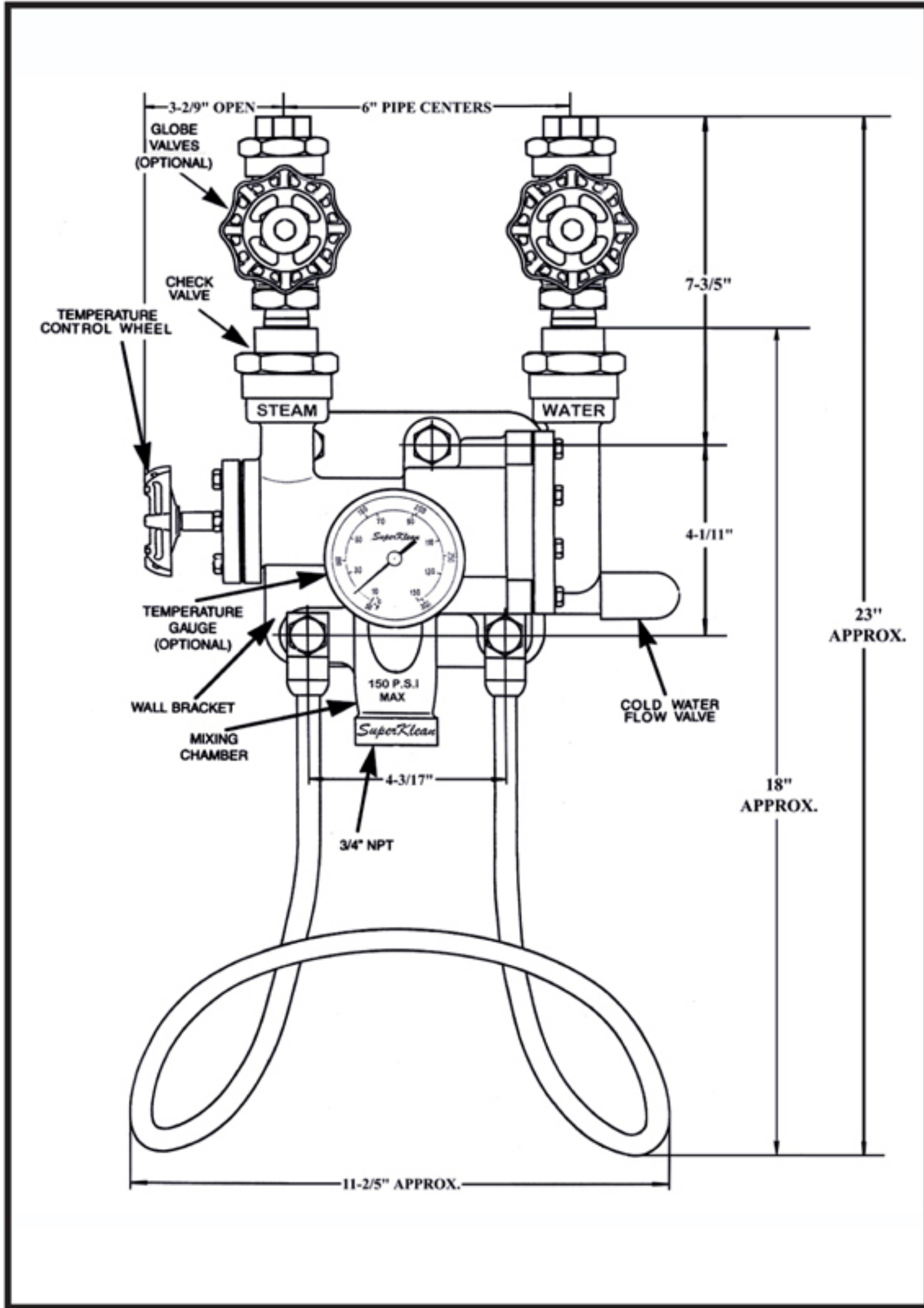
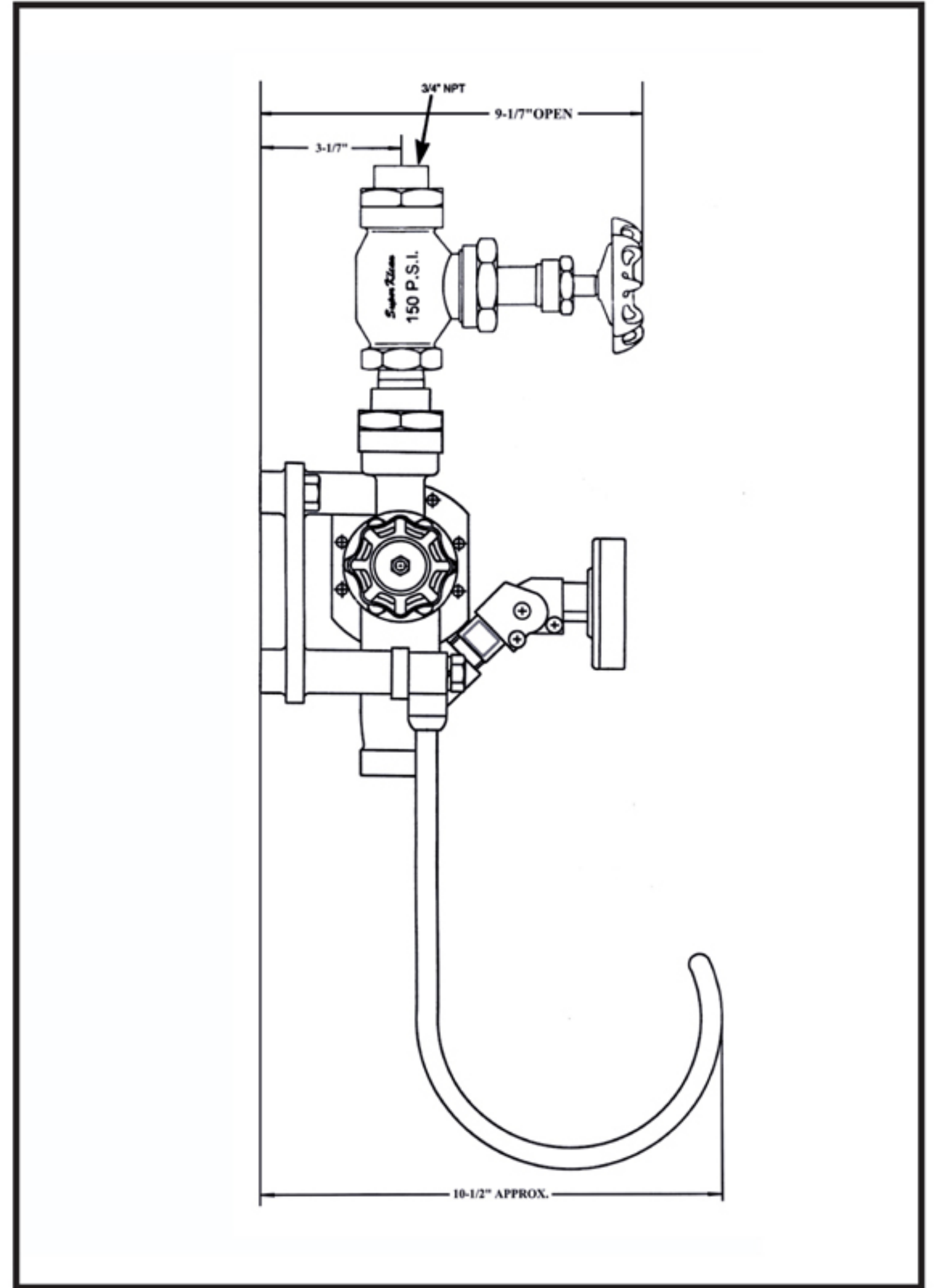


DURAMIX 7000 TECHNICAL DRAWINGS



FRONT VIEW



SIDE VIEW

DURAMIX 7000 GPM RATINGS

Temperature Rise vs. GPM

(for reference only)

INPUT		OUTPUT	
Steam*	Water	Temperature Rise	GPM
100 psig	60 psig	55° F	15.5
100 psig	60 psig	100° F	10.4
100 psig	60 psig	135° F	8.0
* Saturated Steam Only			