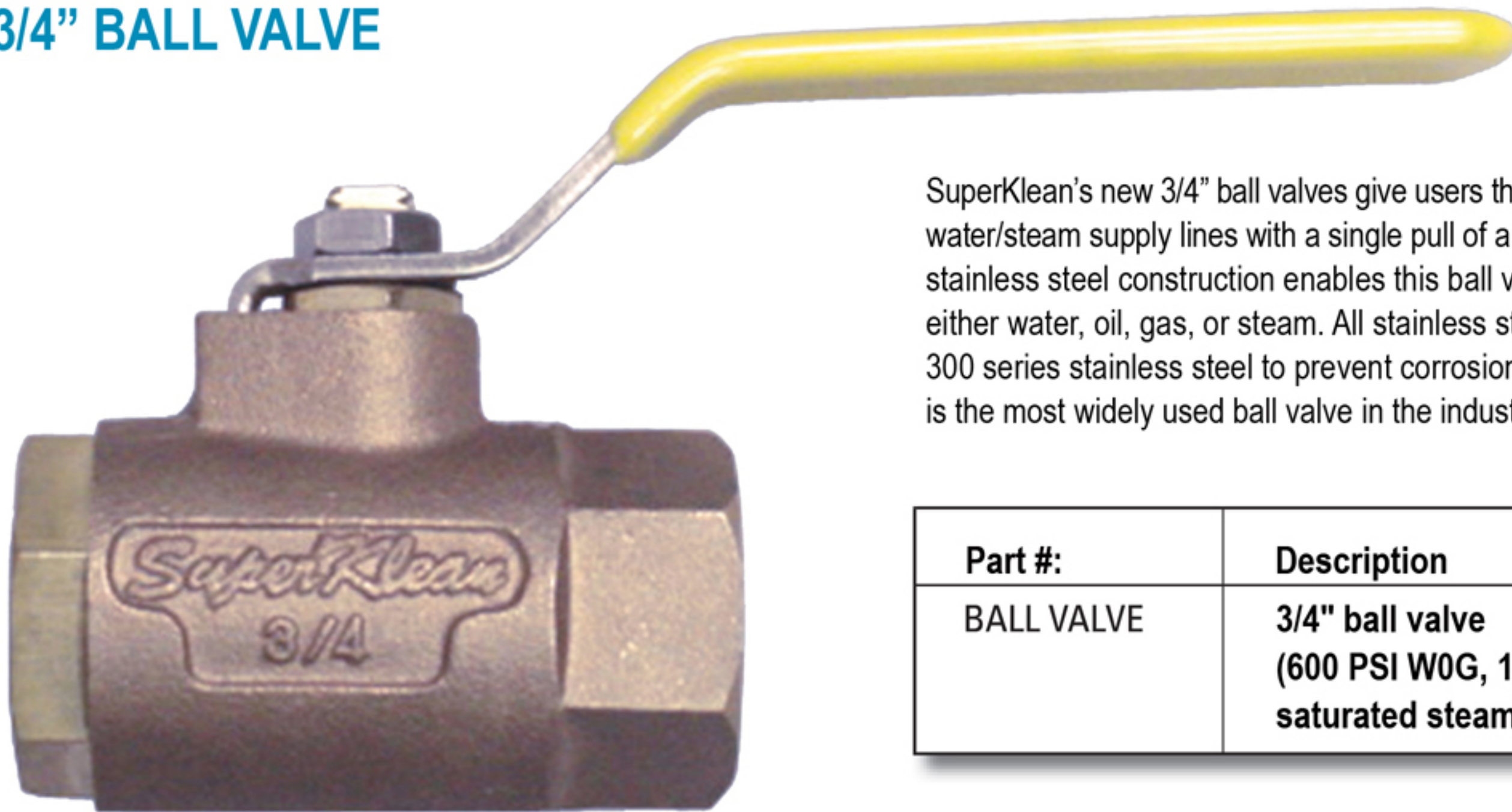
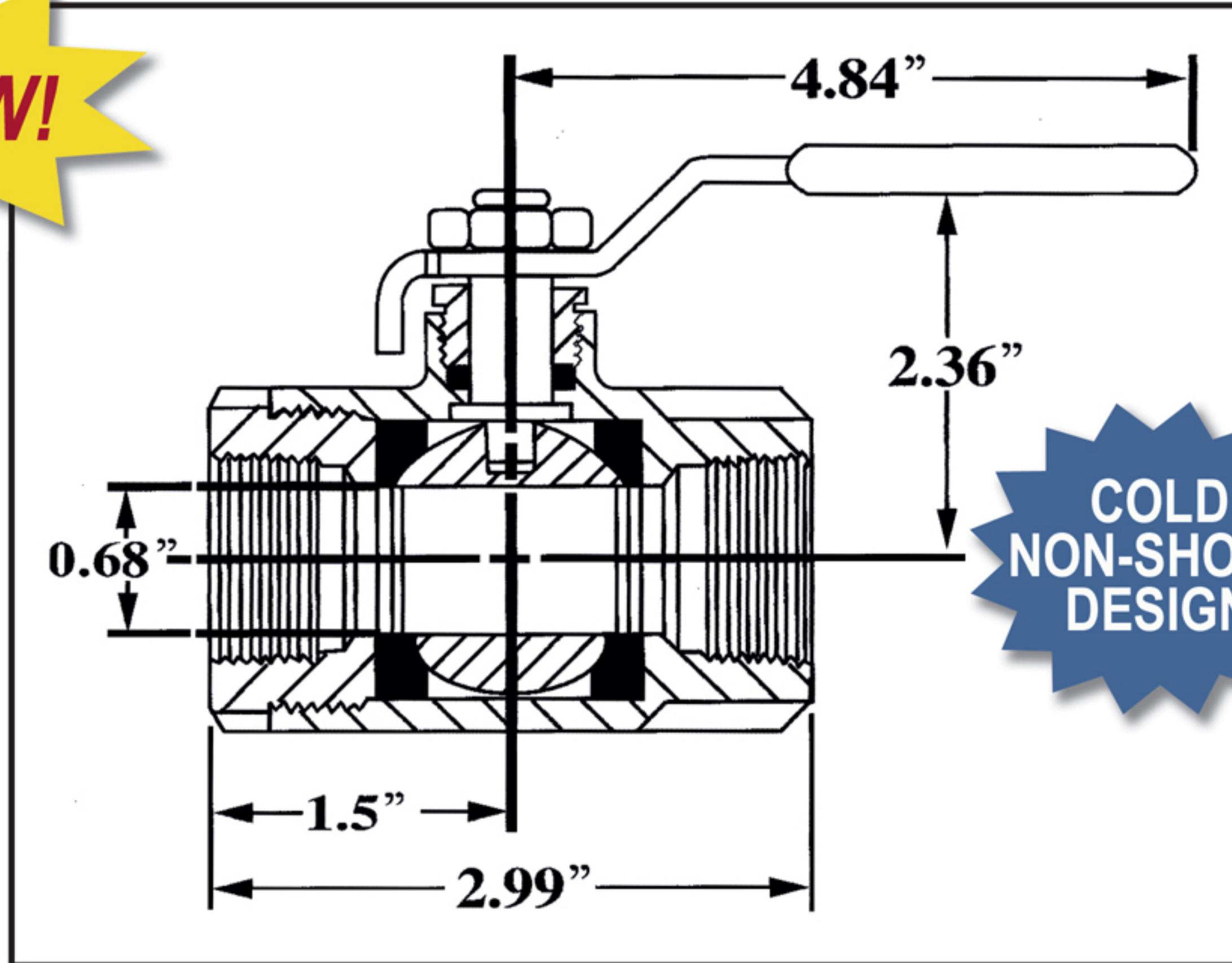


## 3/4" BALL VALVE



SuperKlean's new 3/4" ball valves give users the ability to shut down water/steam supply lines with a single pull of a lever. Its bronze and stainless steel construction enables this ball valve to be used with either water, oil, gas, or steam. All stainless steel components are 300 series stainless steel to prevent corrosion. Our 3/4" ball valve is the most widely used ball valve in the industry.

Part #:	Description
BALL VALVE	3/4" ball valve (600 PSI WOG, 150 PSI, saturated steam)



### Principal Parts, Materials & Rating

Inlet / Outlet Diameter: 3/4" NPT  
 Ball Valve Body: Bronze  
 Lever and Grip: Stainless Steel with Vinyl  
 Stem Packing: Teflon  
 Stem Bearing: Teflon  
 Ball: Chrome Plated  
 Seats: Teflon

Retainer: Brass  
 Gland Nut: Brass  
 Stem: Brass  
 Lever Nut: Stainless Steel  
 Body Seal: Teflon  
 Weight: 1.28 Lbs.  
 Pressure Rating: 600 PSI WOG - 150 PSI STEAM